

401 Series Regulator

Single Stage
Brass Barstock Body
Six-Port
Configuration
316L Stainless Steel
Diaphragm



401-1331 shown

The 401 Series regulators are intended for primary pressure control of noncorrosive, high purity or liquefied gases, or for applications where minor fluctuations in outlet pressure due to diminishing inlet supply can be tolerated.

Typical Applications

- Gas and liquid chromatography
- High purity carrier gases
- Zero, span and calibration gases
- High purity chamber pressurization
- Liquefied hydrocarbon gas control
- Control of cryogenic gases

Advanced Features

- Brass barstock body
Smooth surface finish
- Front and rear panel mountable
Versatile system configuration
- Pressure ranges 0-15 to 0-500 PSIG
Broad range of applications

400 Advantage

- *Metal-to-metal diaphragm seal*
No possibility of gas contamination
- *Capsule® seat*
Increased serviceability and life
- *316L stainless steel diaphragm*
No inboard diffusion
- *Orientable captured vent capable*
Safety in any installation
- *Low wetted surface area*
Minimal purge requirements
- *Field-adjustable pressure limit*
Safeguard downstream equipment
- *Pipe away relief valve*
Safely vent exhaust gases
- *Delivery pressure range easily changed*
Maximum flexibility

Materials

Body
Brass barstock

Bonnet
Chrome Plated barstock

Seat
PTFE
PCTFE with 4500 PSIG inlet option

Filter
10 micron sintered bronze

Diaphragm
316L stainless steel

Internal Seals
PTFE

Specifications

Maximum Inlet Pressure
3000 PSIG (210 BAR)
4500 PSIG (310 BAR) optional

Temperature Range
-40°F to 140°F (-40°C to 60°C)

Gauges
2" diameter chrome plated

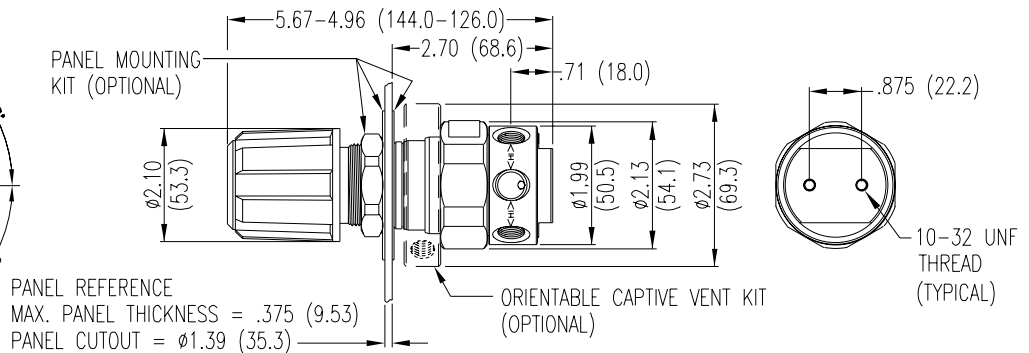
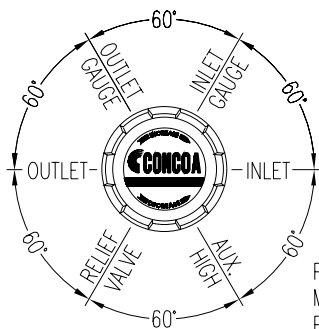
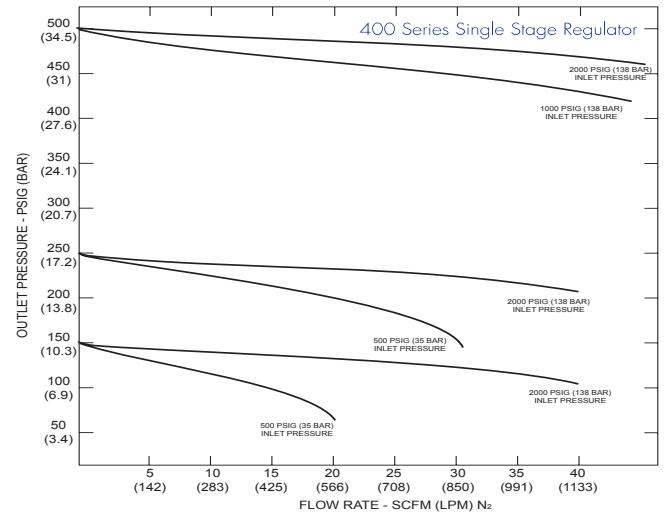
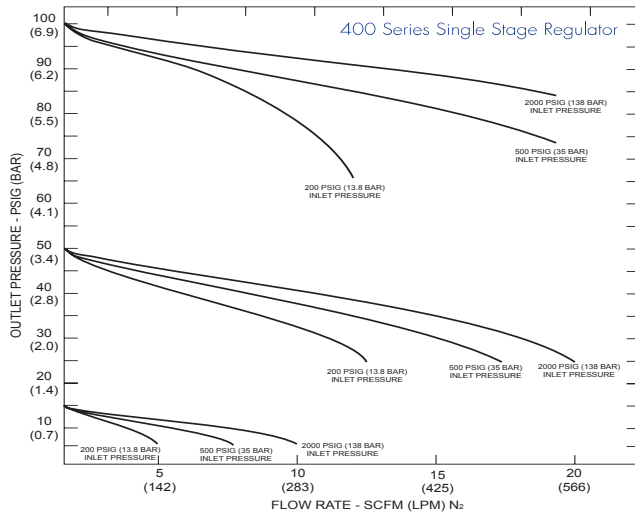
Ports
¼" FPT

Helium Leak Integrity
1 x 10⁻⁹ scc/sec

Cv
0.1

Weight (401-1331-580)
3.99 lbs. (1.81 kg)

Flow Performance Curves



Ordering Information *(For information about how to use this table please see page 4.)*

401	A	B	C	D	-Inlet	Options																																																							
Series 401	<table border="1"> <tr> <th>Outlet Pressure</th> <th>Outlet Gauge</th> </tr> <tr> <td>1: 0-15*</td> <td>30"-0-30 PSIG</td> </tr> <tr> <td>2: 0-50</td> <td>30"-0-100 PSIG</td> </tr> <tr> <td>3: 0-100</td> <td>30"-0-200 PSIG</td> </tr> <tr> <td>4: 0-250</td> <td>0-400 PSIG</td> </tr> <tr> <td>5: 0-500**</td> <td>0-1000 PSIG</td> </tr> <tr> <td>7: 0-150</td> <td>30"-0-200 PSIG</td> </tr> </table> <p><i>*Not available with 4500 PSIG maximum inlet pressure</i></p> <p><i>**Standard assembly does not include relief valve</i></p>	Outlet Pressure	Outlet Gauge	1: 0-15*	30"-0-30 PSIG	2: 0-50	30"-0-100 PSIG	3: 0-100	30"-0-200 PSIG	4: 0-250	0-400 PSIG	5: 0-500**	0-1000 PSIG	7: 0-150	30"-0-200 PSIG	<table border="1"> <tr> <th>Inlet Gauge</th> </tr> <tr> <td>0: None</td> </tr> <tr> <td>3: 0-4000 PSIG</td> </tr> <tr> <td>5: 0-1000 PSIG</td> </tr> <tr> <td>6: 0-300 PSIG</td> </tr> <tr> <td>7: 0-400 PSIG</td> </tr> <tr> <td>8: 0-6000 PSIG*</td> </tr> </table> <p><i>*Maximum inlet pressure 4500 PSIG (310 BAR) with PCTFE Seat Capsule</i></p>	Inlet Gauge	0: None	3: 0-4000 PSIG	5: 0-1000 PSIG	6: 0-300 PSIG	7: 0-400 PSIG	8: 0-6000 PSIG*	<table border="1"> <tr> <th>Outlet Assemblies</th> </tr> <tr> <td>0: ¼" FPT Port</td> </tr> <tr> <td>1: ¼" MPT</td> </tr> <tr> <td>2: ¼" Tube Fitting</td> </tr> <tr> <td>3: Diaphragm Valve ¼" Tube Fitting</td> </tr> <tr> <td>4: Diaphragm Valve ¼" MPT</td> </tr> <tr> <td>5: Needle Valve ¼" MPT</td> </tr> <tr> <td>6: 1/8" Tube Fitting</td> </tr> <tr> <td>7: 1/8" Tube Fitting</td> </tr> <tr> <td>8: Diaphragm Valve 1/8" Tube Fitting</td> </tr> <tr> <td>9: Diaphragm Valve ¼" FPT</td> </tr> <tr> <td>A: 1/8" BSP Right Hand Fitting</td> </tr> <tr> <td>M: 6mm Tube Fitting</td> </tr> <tr> <td>S: Diaphragm Valve 6mm Tube Fitting</td> </tr> </table>	Outlet Assemblies	0: ¼" FPT Port	1: ¼" MPT	2: ¼" Tube Fitting	3: Diaphragm Valve ¼" Tube Fitting	4: Diaphragm Valve ¼" MPT	5: Needle Valve ¼" MPT	6: 1/8" Tube Fitting	7: 1/8" Tube Fitting	8: Diaphragm Valve 1/8" Tube Fitting	9: Diaphragm Valve ¼" FPT	A: 1/8" BSP Right Hand Fitting	M: 6mm Tube Fitting	S: Diaphragm Valve 6mm Tube Fitting	<table border="1"> <tr> <th>Assembly/ Gauges</th> </tr> <tr> <td>0: Bare Body</td> </tr> <tr> <td>1: Standard Assembly (PSIG/kPa Gauges)</td> </tr> <tr> <td>2: Standard Assembly (BAR/PSIG Gauges)</td> </tr> <tr> <td>4: Cleanroom Assembly (PSIG/kPa Gauges)</td> </tr> <tr> <td>5: Cleanroom Assembly (BAR/PSIG Gauges)</td> </tr> </table>	Assembly/ Gauges	0: Bare Body	1: Standard Assembly (PSIG/kPa Gauges)	2: Standard Assembly (BAR/PSIG Gauges)	4: Cleanroom Assembly (PSIG/kPa Gauges)	5: Cleanroom Assembly (BAR/PSIG Gauges)	<table border="1"> <tr> <th>Inlet Connections</th> </tr> <tr> <td>000: ¼" FPT</td> </tr> <tr> <td>TF2: 1/8" Tube</td> </tr> <tr> <td>TF4: ¼" Tube</td> </tr> <tr> <td>TF6: 1/8" Tube</td> </tr> <tr> <td>M06: 6mm Tube</td> </tr> </table>	Inlet Connections	000: ¼" FPT	TF2: 1/8" Tube	TF4: ¼" Tube	TF6: 1/8" Tube	M06: 6mm Tube	<table border="1"> <tr> <th>Installed Options</th> </tr> <tr> <td>A: Protocol Alarm Station (110V)</td> </tr> <tr> <td>B: Protocol Alarm Station (220V)</td> </tr> <tr> <td>C: Protocol Switchover Station</td> </tr> <tr> <td>D: Deep Purge*</td> </tr> <tr> <td>G: Protocol Switchover Station with Alarm (110V)</td> </tr> <tr> <td>H: Protocol Switchover Station with Alarm (220V)</td> </tr> <tr> <td>M: Protocol Station</td> </tr> </table> <p><i>*Not available with 4500 PSIG max inlet pressure</i></p>	Installed Options	A: Protocol Alarm Station (110V)	B: Protocol Alarm Station (220V)	C: Protocol Switchover Station	D: Deep Purge*	G: Protocol Switchover Station with Alarm (110V)	H: Protocol Switchover Station with Alarm (220V)	M: Protocol Station
Outlet Pressure	Outlet Gauge																																																												
1: 0-15*	30"-0-30 PSIG																																																												
2: 0-50	30"-0-100 PSIG																																																												
3: 0-100	30"-0-200 PSIG																																																												
4: 0-250	0-400 PSIG																																																												
5: 0-500**	0-1000 PSIG																																																												
7: 0-150	30"-0-200 PSIG																																																												
Inlet Gauge																																																													
0: None																																																													
3: 0-4000 PSIG																																																													
5: 0-1000 PSIG																																																													
6: 0-300 PSIG																																																													
7: 0-400 PSIG																																																													
8: 0-6000 PSIG*																																																													
Outlet Assemblies																																																													
0: ¼" FPT Port																																																													
1: ¼" MPT																																																													
2: ¼" Tube Fitting																																																													
3: Diaphragm Valve ¼" Tube Fitting																																																													
4: Diaphragm Valve ¼" MPT																																																													
5: Needle Valve ¼" MPT																																																													
6: 1/8" Tube Fitting																																																													
7: 1/8" Tube Fitting																																																													
8: Diaphragm Valve 1/8" Tube Fitting																																																													
9: Diaphragm Valve ¼" FPT																																																													
A: 1/8" BSP Right Hand Fitting																																																													
M: 6mm Tube Fitting																																																													
S: Diaphragm Valve 6mm Tube Fitting																																																													
Assembly/ Gauges																																																													
0: Bare Body																																																													
1: Standard Assembly (PSIG/kPa Gauges)																																																													
2: Standard Assembly (BAR/PSIG Gauges)																																																													
4: Cleanroom Assembly (PSIG/kPa Gauges)																																																													
5: Cleanroom Assembly (BAR/PSIG Gauges)																																																													
Inlet Connections																																																													
000: ¼" FPT																																																													
TF2: 1/8" Tube																																																													
TF4: ¼" Tube																																																													
TF6: 1/8" Tube																																																													
M06: 6mm Tube																																																													
Installed Options																																																													
A: Protocol Alarm Station (110V)																																																													
B: Protocol Alarm Station (220V)																																																													
C: Protocol Switchover Station																																																													
D: Deep Purge*																																																													
G: Protocol Switchover Station with Alarm (110V)																																																													
H: Protocol Switchover Station with Alarm (220V)																																																													
M: Protocol Station																																																													
Related Options		<ul style="list-style-type: none"> Panel Mount Kit (550-0002) Captured Vent Kit (550-0001) Helium Leak Certification (476-0002) 																																																											