

485 Series Regulator

Single Stage
Ultra High Flow
Brass Barstock Body
Six-Port Configuration
316L Stainless Steel
Diaphragm

Typical Applications

- *Ultra High Flow*
- *Bulk gas distribution systems*
- *Gas and liquid chromatography*
- *High purity carrier gases*
- *Zero, span, and calibration gases*
- *High purity chamber pressurization*
- *Liquefied hydrocarbon gas control*
- *Control of cryogenic gases*



485-3301 shown

Advanced Features

- *Brass barstock body*
Smooth surface finish
- *Rear panel mountable*
Versatile system configuration
- *Pressure ranges 0-15 to 0-250 PSIG*
Broad range of applications
- *3000 PSIG inlet pressure rating*
Safe use with high pressure cylinders

The 485 Series regulator applications are wide and varied including high flow purging, semiconductor manufacturing, manifold and line regulation.

400 Advantage

- *PTFE diaphragm seal*
No possibility of gas contamination
- *ISOFLOW™ technology*
Internal equalization provides constant delivery pressure at high flows
- *316L stainless steel diaphragm*
No inboard diffusion
- *Low wetted surface area*
Minimal purge requirements
- *Field-adjustable pressure limit*
Safeguard downstream equipment
- *Pipe away relief valve*
Safely vent exhaust gases

Materials

Body
Brass barstock

Bonnet
Chrome-plated die cast zinc

Seat
PCTFE

Filter
40 micron 316L stainless steel

Diaphragm
316L stainless steel

Internal Seals
PTFE

Specifications

Maximum Inlet Pressure
3000 PSIG (210 BAR)

Temperature Range
-40°F to 140°F (-40°C to 60°C)

Gauges
2" diameter brass

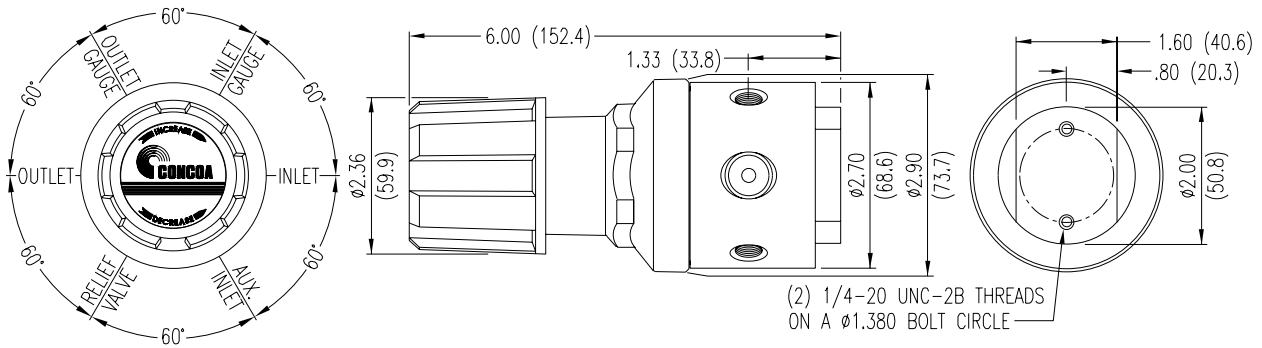
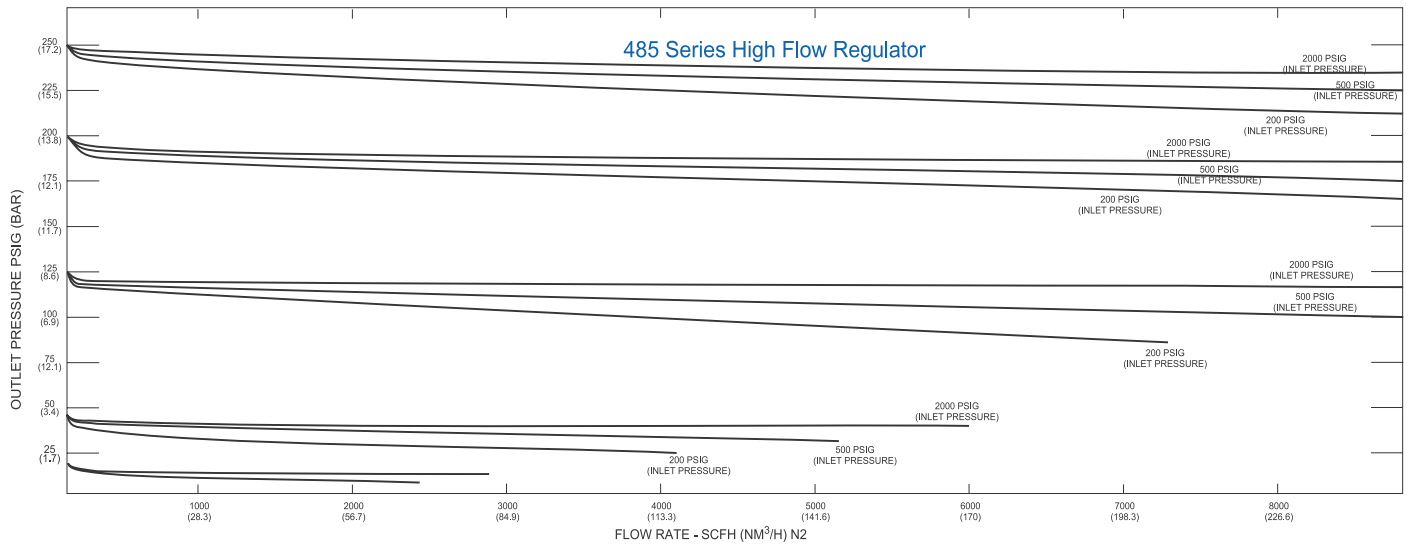
Ports
½" FPT (inlet/outlet)
¼" FPT (gauge/relief valve)

Helium Leak Integrity
1 x 10⁻⁸ scc/sec

Cv
1.0

Weight (485-3311-580)
5.85 lbs. (2.65 kg)

Flow Performance Curves



Ordering Information *(For information about how to use this table please see page 4.)*

485-	A	B	C	D	-Inlet	Options	
Series 485	Outlet Pressure 1: 0-15 2: 0-40 3: 0-120 4: 0-200 5: 0-250	Outlet Gauge 0-30 PSIG 0-60 PSIG 0-200 PSIG 0-400 PSIG 0-400 PSIG	Inlet Gauge 0: None 3: 0-4000 PSIG 5: 0-1000 PSIG 6: 0-300 PSIG 7: 0-400 PSIG 8: 0-600 PSIG	Outlet Assemblies 0: ½" FPT Port 1: ½" Tube Fitting P: 12mm Tube Fitting	Assembly/ Gauges 0: Bare Body 1: Standard Assembly (PSIG/kPa Gauges) 2: Standard Assembly (BAR/PSIG Gauges)	Inlet Connections 000: ½" FPT TF8: ½" Tube M12: 12mm Tube CGA DIN 477 BS 341 and others available	Installed Options M: Protocol Station