

SAFETY RELIEF VALVE

www.wittgas.com

SV809/810 > 45.0 up to 100.0 bar



SV809



SV810



SV809-ES



SV810-ES

Spring loaded, direct acting safety relief valve for venting excess pressure from receivers, pipelines and other equipment.

Benefits

- according to PED 97/23/EG, category IV, Module B and F
- individual opening pressure
- TÜV-certification of pressure setting
- available in brass or stainless steel (ES)
- may be mounted in any position / orientation
- compact size for easy, problem free installation
- range of inlet connections
- with / without condensation outlet
- protective dust cap

- SV810 (manual ventilation), for checking of safety function
- Adapter for connection to ventilation pipe

Approvals

Manufactured and certified relating to EN ISO 4126-1

Company certified according to ISO 9001:2000, ISO 14001 and PED 97/23/EG Module H

CE-marked according to:
- PED 97/23/EG

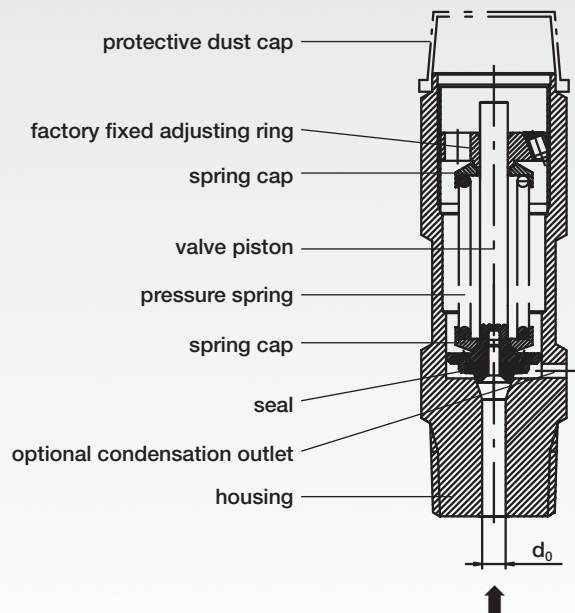
Other models, options and accessories available on request.

Please identify the individual gases, temperature, opening pressure, inlet connection and with or without condensation outlet at the time of enquiring!

Product Information

	SV809	SV810
Manual ventilation	-	x
Opening pressure	> 45.0 up to 100.0 bar	
Gases	all technical gases for which PTFE (Teflon) is resistant to	
Material	housing and metal turned parts made of brass or stainless steel, pressure spring made of stainless steel, valve seal PTFE (Teflon) PVDF	
Width across flats	27 mm	
Weight	ca. 260 g	
Outlet	M24 x 1 female	
Marking	CE0045	
Drill hole (d ₀)	5.0 mm	
Temperature range	-196 °C/-321 °F up to approx. +150 °C/+302 °F (in accordance to gas and valve sealing)	
Adapter	for connection to ventilation pipe at the outlet	

Technical Data



SAFETY RELIEF VALVE
www.wittgas.com
Flow capacity for air at 23 °C (valid only for atmospheric back pressure)

Opening pressure	[bar]	46	47	48	49	50	51	52	53	54	55	56	57
Volume flow	[m³/h]	12.6	13.2	13.9	14.8	15.9	17.1	18.5	20.1	21.8	23.7	25.7	27.8
Opening pressure	[bar]	58	59	60	61	62	63	64	65	66	67	68	69
Volume flow	[m³/h]	30.0	32.4	34.9	37.5	40.2	43.0	45.9	48.8	51.9	55.0	58.2	61.4
Opening pressure	[bar]	70	71	72	73	74	75	76	77	78	79	80	81
Volume flow	[m³/h]	64.7	68.1	71.4	74.9	78.3	81.8	85.3	88.8	92.3	95.8	99.3	102.8
Opening pressure	[bar]	82	83	84	85	86	87	88	89	90	91	92	93
Volume flow	[m³/h]	106.3	109.7	113.1	116.5	119.9	123.1	126.4	129.6	108.0	111.0	113.0	115.0
Opening pressure	[bar]	94	95	96	97	98	99	100					
Volume flow	[m³/h]	118.0	120.0	122.0	124.0	126.0	128.0	130.0					

Version	Overall length [mm]		Inlet male thread (M)	Outlet female thread (F)
	SV809	SV810		
Brass	90	100	G 1/4; 1/4" NPT G 3/8; 3/8" NPT M16 x 1.5; M18 x 1.5	M24 x 1
	95	105	G 1/2; 1/2" NPT G 3/4; 3/4" NPT M20 x 1.5	
Stainless steel (ES)	96.5	106.5	G 1/4; 1/4" NPT; 1/4" VCR G 3/8; 3/8" NPT; 3/8" VCR M16 x 1.5; M18 x 1.5	
	101.5	111.5	G 1/2; 1/2" NPT; 1/2" VCR G 3/4; 3/4" NPT M20 x 1.5	

Adapter for connection to ventilation pipe at the outlet

Version	Adapter with O-ring seal	Order no.
Brass	M24 x 1 M – 1/2" NPT F	801.413600K
	M24 x 1 M – 3/4" NPT F	802.124900K
	M24 x 1 M – G 1/2 M with cone	802.069800K
Galvanised steel	M24 x 1 M – 1/2" NPT F	801.413703K
Stainless steel (ES)	M24 x 1 M – 1/2" NPT F	801.727800K

Other connections available on request